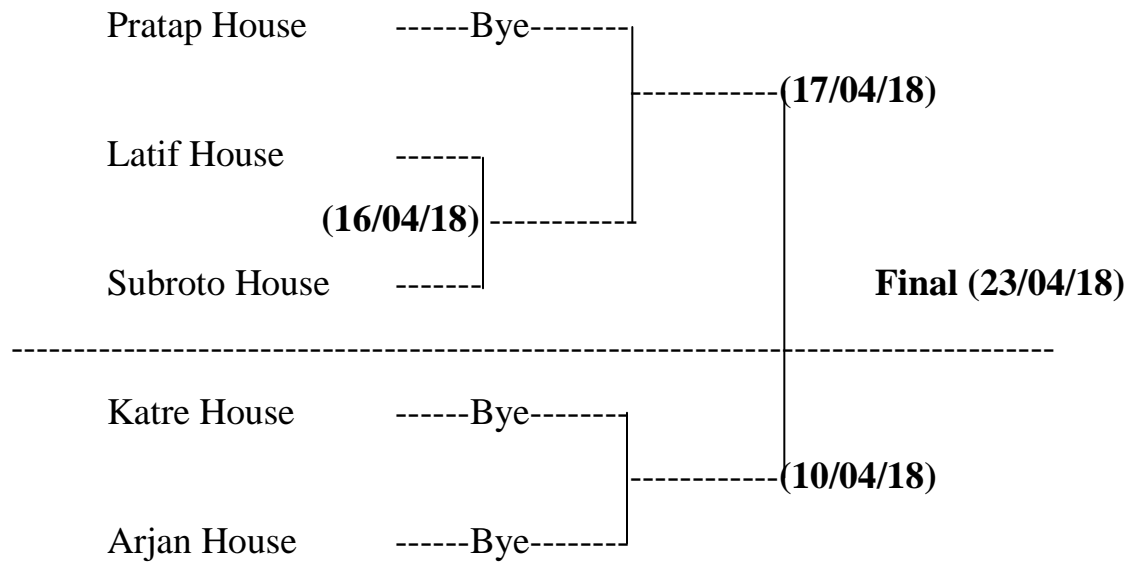


INTER HOUSE CRICKET TOURNAMENT

TPL -2018-19

SUB- JUNIOR BOYS (VI-VII)

Fixture



JUNIOR BOYS (VIII-IX)
Fixture

